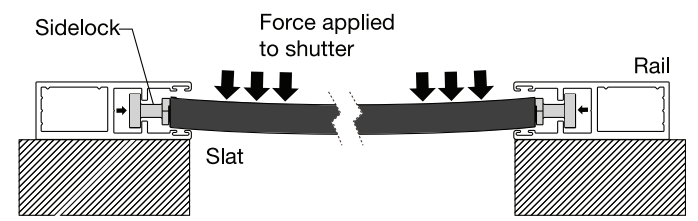


| | | | | | | | | | | | | | | | | | | |
|---|---|--|-----------------------------------|-------------------------|---|-----|---|-----|---|-----|---|-----|----|------|----|------|----|------|
| | | | | | DuraComfort A200-H HD System Specification | | | | | | | | | | | | | |
| Operator Options Gear Motor Motor Override RTS Override Optional Motor / Remote Control | | | | | | | | | | | | | | | | | | |
| Recommended Opening Width 2' - 10' With Motor 3' - 16' | Recommended Opening Height Manual 2' - 10' Motor 3' - 12' | Recommended Maximum SQ FT. Manual 95 Motor 180 | Curtain Weight 1.72 LBS SQ FT. | Profile Height 2.17" | | | | | | | | | | | | | | |
| Housing Size (A) vs. FM Shutter Height | | | | | | | | | | | | | | | | | | |
| | 4 | 4.5 | 5 | 5.5 | 6 | 6.5 | 7 | 7.5 | 8 | 8.5 | 9 | 9.5 | 10 | 10.5 | 11 | 11.5 | 12 | 12.5 |
| | | | | | | | | | | 10 | | | | | 12 | | | |



System Specification Sheets
 DuraComfort A200-HD 55mm Slat Profile
 with End Retention Sidelocks



ROLLAC 2017

System Specifications

VERSION 04.06.17

To place an order please call:

(888) 2-ROLLAC (276-5522)

For more information please call:

(281) 485-1911 (local)

To find out more about our company or our products,

please visit our website: www.rollac.com.

email: architects@rollac.com

Copyright 2017, Rollac Shutter of Texas, Inc.

All rights reserved. No part of this catalog may be reproduced in any form or by any electronic or mechanical means, including the use of information storage and retrieval systems, without the express written permission from Rollac Shutter of Texas, Inc.

Certain portions of this catalog have been reprinted with the permission of the copyright owners who reserve all rights.



System Specifications Table of Contents

Slat Specifications

Operator Overview

Drawing 1

System Overview and Technical Specifications

Drawing 2

System Overview and Technical Specification continued

Drawing 3

Shutter Mounting Options Overview

Drawing 4

DETAIL: Shutter Surface Mounting

Drawing 5

DETAIL: Recess / Jamb Mounting

Drawing 6

DETAIL: In Wall Mounting

Drawing 7

DETAIL: Above Ceiling / Soffit Mount

Drawing 8

Recommended Fastener Schedule

Drawing 9

Motorized Operation Rolling Shutter Manual Override Options – Exploded Diagram

Drawing 10

Gear Operation Rolling Shutter Options – Exploded Diagram

Drawing 11

Duracomfort System Spec Sheet

Drawing 12

Mounting Options for Rails

Drawing 13

Exposed Base Slat Detail and Wall Mounting Bottom Stop Detail

Drawing 14

Wall Mounting Side Rail Connections to wood and concrete walls

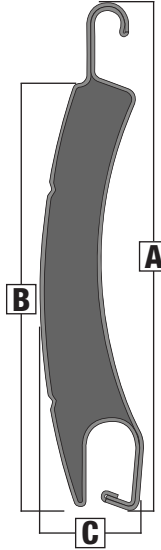
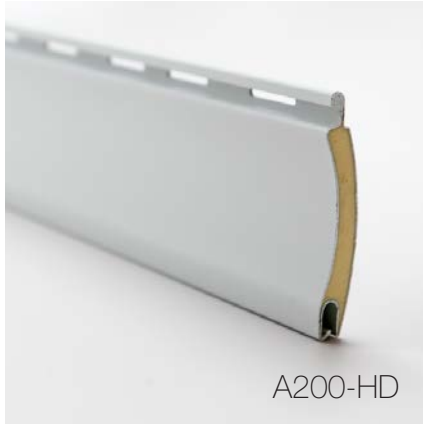
Drawing 15

Common Terms used for Rolling Shutters and Shutter System Frames



DuraComfort A200-HD Hard Foam Slat (APEX)

Residential Security Solution

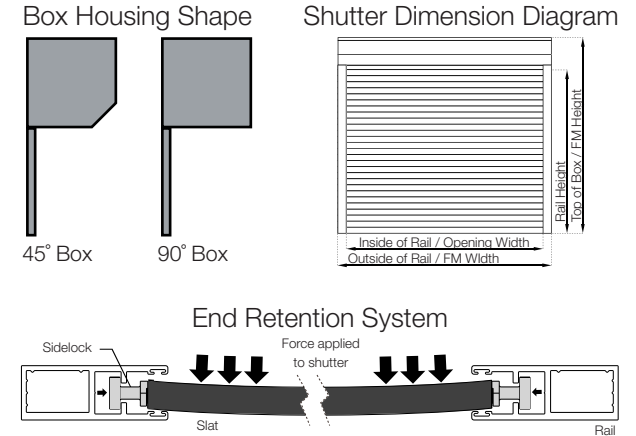


| Slat Details | | |
|-------------------------------|----------------|------------|
| Total Height (A) | 2.62" | 66 mm |
| Total Height (B) | 2.17" | 55 mm |
| Profile Width (C) | 0.53" | 13.5 mm |
| Wall Gauge | 0.024" | 0.60 mm |
| Weight | 1.800 lbs/sqft | 9.1 kg/sqm |
| Maximum Area | 220 sqft | 20.44 sqm |
| Operator Limitations | | |
| Operator | Max sqft | Max sqm |
| Pulley (25 lbs) | 14 sqft | 1.30 sqm |
| Strap Crank (60 lbs) | 33 sqft | 3.07 sqm |
| Gear Crank (71 lbs) | 39 sqft | 3.62 sqm |
| Gear Assist (110 lbs) | 61 sqft | 5.67 sqm |
| Motor 60mm Axle (194 lbs) | 108 sqft | 10.03 sqm |
| Motor 70mm axle (352 lbs) | 196 sqft | 18.21 sqm* |
| T8 Motor 100mm axle (450 lbs) | 220 sqft | 20.44 sqm |

| Color Availability | | |
|--------------------|----------------|--------------|
| | Curtain Colors | Frame Colors |
| White | • | • |
| Cream | • | • |
| Beige | • | • |
| Bronze | • | • |
| Brown | • | • |
| Grey | • | • |
| Arcona Beige | • | • |
| Metallic | • | • |

| Slat Details | | | |
|---|-------------------|-------|----|
| <ul style="list-style-type: none"> • Double walled roll-formed aluminum • Gauge 0.60 mm / 0.024" • CFC free foam core • Paint thermal stability range: -40° F to 176° F [-40° C to 80° C] • Available with or without light slits • Solar heat gain coefficient & U values available upon request | | | |
| Sidelocks (Polyamide Inserts for Hard Foam) | | | |
| er-55 for apex A55 | Profiles | Black | Ea |
| Screws #8 | For use with ER55 | | Ea |
| Aluminum Base Slat for Maxi Slats | | | |
| Anodized Silver, Cream, White, Light Beige, Bronze | | | |

| Slat Deduction for Shutter Manufacturing | | |
|---|--|---|
| Slat | Small Leg 45° & 90° 4"-10" | Large Leg 45° 10", 12" |
| ³ / ₈ " Slip | 11.1 cm / 4 ³ / ₈ " | 12.3 cm / 4 ⁷ / ₈ " |
| ¹ / ₈ " Slip | 11.4 cm / 4 ¹ / ₂ " | 12.6 cm / 4 ¹⁵ / ₁₆ " |
| < ¹ / ₈ " Slip | 11.6 cm / 4 ⁹ / ₁₆ " | 12.8 cm / 5 ¹ / ₁₆ " |
| Standard Side Rail - Maxi | | |
| End Retention Side Rail - 76 mm x 28 mm (3.00" x 1.11") | | |
| Anodized Silver, Cream, White, Light Beige, Bronze | | |
| Optional Side Rail - Maxi | | |
| End Retention Side Rail - 89 mm x 28 mm (3.50" x 1.06") | | |
| Anodized Silver, Cream, White, Light Beige, Bronze | | |

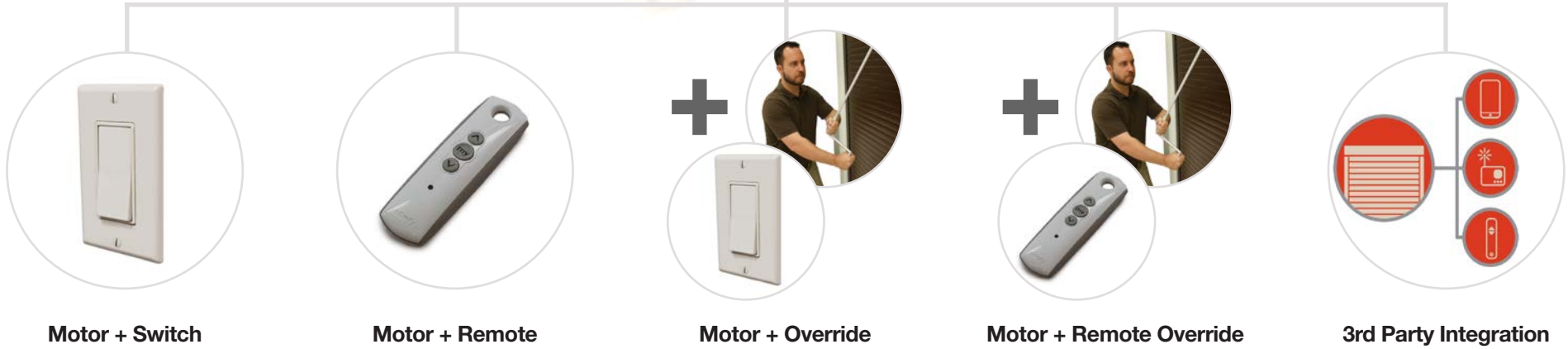


| Rail Height By Housing Size | | | | | | | | | | | | | | |
|-----------------------------|-------------|-------|---------------|-------|-------------|-------|-------------|-------|-------------|-------|--------------|-------|--------------|-------|
| Box Size | 6" (150 mm) | | 6.5" (165 mm) | | 7" (180 mm) | | 8" (205 mm) | | 9" (230 mm) | | 10" (250 mm) | | 12" (300 mm) | |
| Axle | 60 mm | 70 mm | 60 mm | 70 mm | 60 mm | 70 mm | 60 mm | 70 mm | 60 mm | 70 mm | 60 mm | 70 mm | 60 mm | 70 mm |
| A200-HD | 22" | N/A" | 30" | N/A" | 42" | 42" | 63" | 59" | 84" | 80" | 111" | 100" | 152" | 152" |



Operator Overview

Motorized Options



Each Option Includes Motorized Operation





Operator Overview

Manual Options



Recoil Box



Crank Box



Push / Pull System

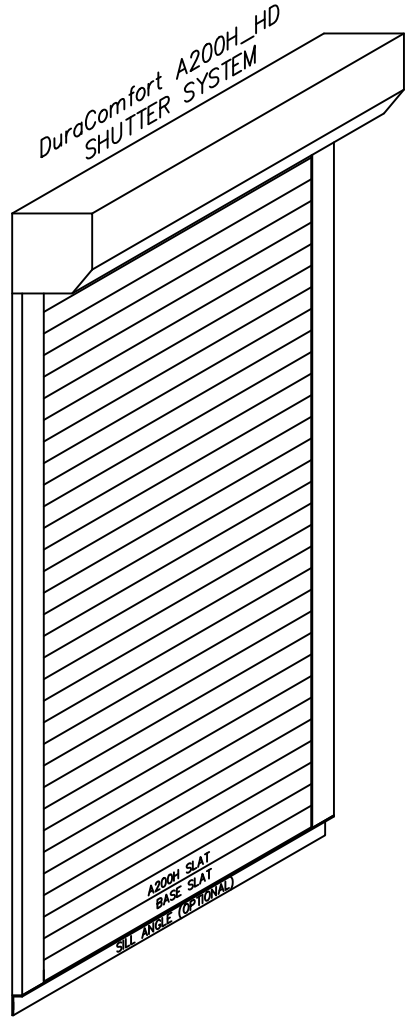


Gear Drive / Crank Handle



The DuraComfort A200H_HD - Shutter System

System Overview and Technical Specifications

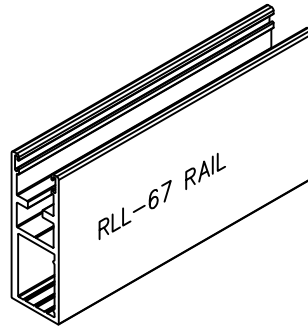
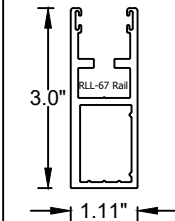


• Available Colors:

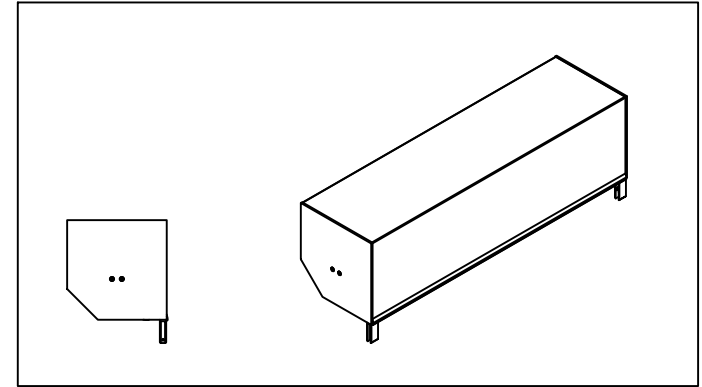
| Curtain | Frame |
|---------------------------|---------------------------|
| White | White |
| Beige (Light Beige) | Beige (Light Beige) |
| Arcona Beige (Dark Beige) | Arcona Beige (Dark Beige) |
| Cream | Cream |
| Grey | Grey |
| Metallic | Metallic |
| Maroon Brown | |
| Dark Brown | Dark Brown |
| Bronze | Bronze |

• Available Rail Sizes:

- Standard 3.0"

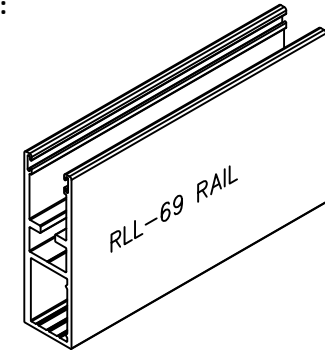
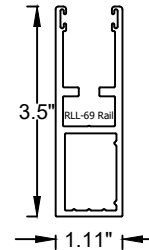


• Available Housing Design Choices - Side Cap 45°



• Available Rail Sizes:

- Optional 3.5"



Copyright © 2017 Rollac
V2.28.2017
ROLLAC ROLLING SHUTTERS
5331 W. ORANGE ST.
PEARLAND, TX 77581
TEL: 281-485-1911
WWW.ROLLAC.COM

| | | | |
|--|-----------|----------------|--------------|
| DRAWN | TRAVIS E. | DATE | 2017/03/16 |
| CHECKED | STEFAN P. | | 2017/03/16 |
| APPR. | | YYYY/MM/DD | |
| UNLESS OTHERWISE SPECIFIED DIMENSIONS ARE IN INCHES | | | |
| ANGLES | ± .5 | .X ± .1 | .XX ± .03 |
| | | .XXX ± .005 | |
| THIRD ANGLE PROJECTION | | | |

| | | |
|---|-----------------|---------|
| PROJECT: | | |
| DESCRIPTION: SYSTEM SPECIFICATION SHEETS FOR A200H_HD SHUTTER SYSTEM. | | |
| SIZE | DWG. NO. | REV |
| A | A200H_HD | A |
| SCALE: NONE | WEIGHT: XX.XLBS | 1 OF 15 |

• Required Minimum and Maximum Dimensions for Operators

| | |
|--------------------------------------|----------|
| Manual System Min and Max Dimensions | |
| System Width | 2' - 10' |
| System Height | 2' - 10' |
| Maximum System SQFT | 50 sqft |

| | |
|--|----------|
| Motorized Systems Min and Max Dimensions | |
| System Width | 3' - 16' |
| System Height | 3' - 12' |
| Maximum System SQFT | 180 sqft |

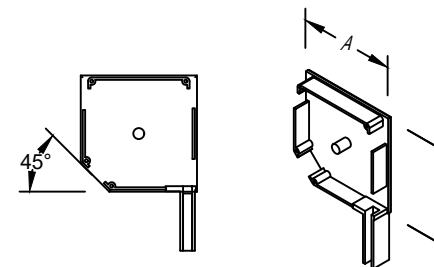
*The system specifications and information herein are based on the dimensional recommendations. If a system requires dimensions outside the scope of these technical recommendations, special engineering and installations may be required. Always consult with Rollac first.

| | |
|----------------------------|-----------------|
| System Weight | |
| Approximate Systems Weight | 3.52 lbs / sqft |
| Curtain Weight | 1.76 lbs / sqft |
| Profile Height | 2.17" |

• Available Operators and SQFT Limitations

| | |
|---|----------|
| Operator System Dimensions | Max SQFT |
| Gear | 35 sqft |
| Gear + Assist Spring | 55 sqft |
| Motor Regular Switch | 180 sqft |
| Motor with Over Ride | 180 sqft |
| Motor with Remote Control | 180 sqft |
| Motor with Remote Control and Over Ride | 180 sqft |

Dimensions of Side Cap 45°



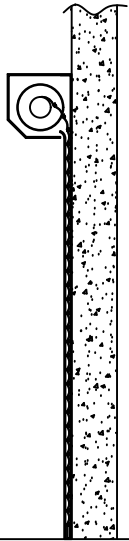
| Dimensions of Side Caps - 45° | |
|-------------------------------|---------------|
| Box | A |
| 5.0" (125mm) | 4.72" (120mm) |
| 5.5" (137mm) | 5.20" (132mm) |
| 6.0" (150mm) | 5.71" (145mm) |
| 6.5" (165mm) | 6.30" (160mm) |
| 7.0" (180mm) | 6.89" (175mm) |
| 8.0" (205mm) | 7.87" (200mm) |
| 9.0" (230mm) | 8.86" (225mm) |
| 10.0" (250mm) | 9.65" (245mm) |

The DuraComfort A200H_HD - Shutter System

System Overview and Technical Specifications

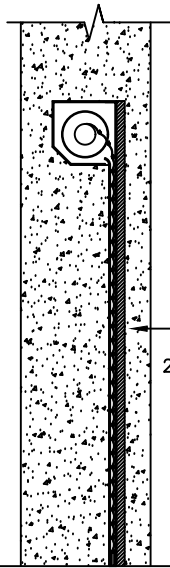
| | | | | |
|---|---------|------------|---|---|
| <p>Copyright © 2017 Rollac V2.28.2017</p> <p>ROLLAC ROLLING SHUTTERS 5331 W. ORANGE ST. PEARLAND, TX 77581 TEL: 281-485-1911 WWW.ROLLAC.COM</p> | NAME | DATE | PROJECT: | |
| | DRAWN | TRAVIS E. | 2017/03/16 | DESCRIPTION: SYSTEM SPECIFICATION SHEETS FOR A200H_HD SHUTTER SYSTEM. |
| | CHECKED | STEFAN P. | 2017/03/16 | |
| | APPR. | YYYY/MM/DD | | SIZE DWG. NO. |
| UNLESS OTHERWISE SPECIFIED DIMENSIONS ARE IN INCHES | | | A A200H HD A | |
| ANGLES | .X | .XX | XXX | |
| ± .5 | ± .1 | ± .03 | ± .005 | |
| THIRD ANGLE PROJECTION | | | SCALE: NONE WEIGHT: XX.XLBS 2 OF 15 | |

SHUTTER MOUNTING OPTIONS



SURFACE MOUNT

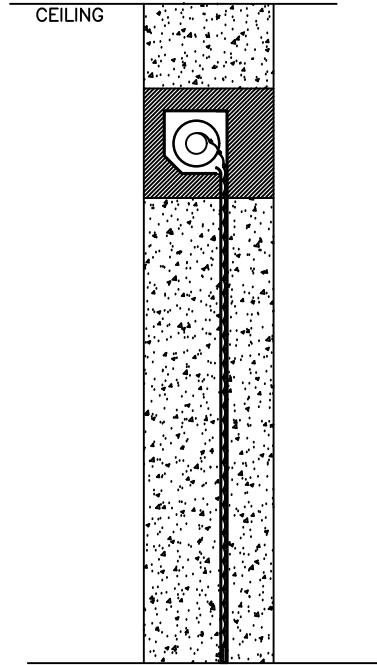
SEE PAGE # 4
FOR DETAILS



RECESS/JAMB MOUNT

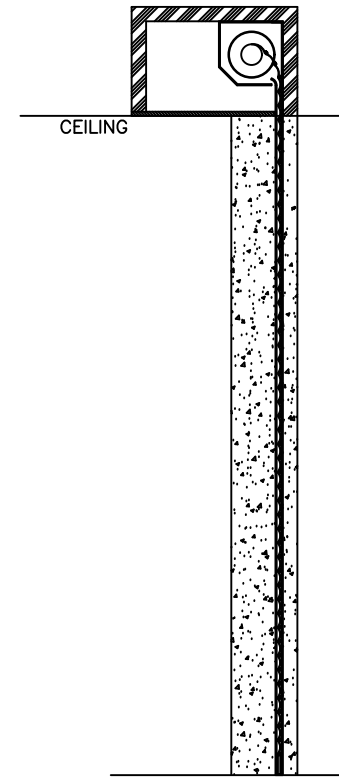
SEE PAGE # 5
FOR DETAILS

2" X 2"
ANGLE



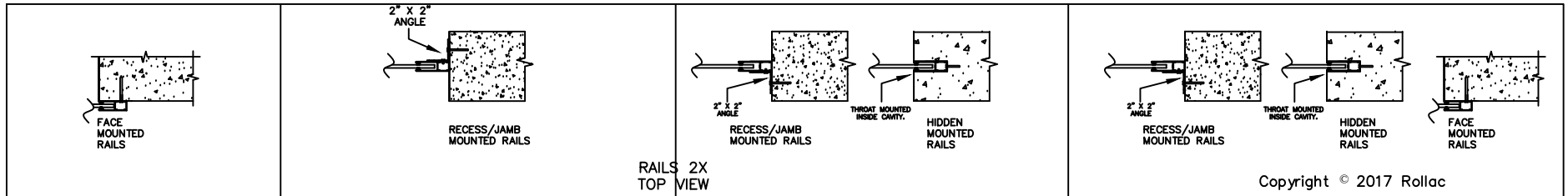
INWALL MOUNT

SEE PAGE # 6
FOR DETAILS



ABOVE CEILING/SOFFIT MOUNT

SEE PAGE # 7
FOR DETAILS

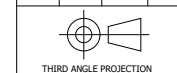


RAIL MOUNTING OPTIONS BY SHUTTER MOUNT METHODS

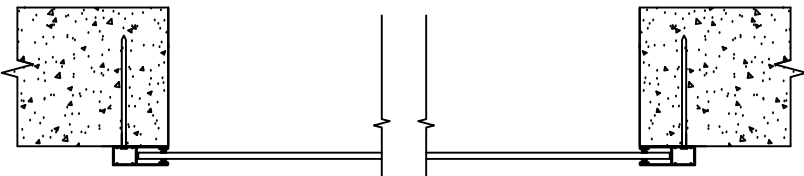


Copyright © 2017 Rollac
V2.28.2017
ROLLAC ROLLING SHUTTERS
5331 W. ORANGE ST.
PEARLAND, TX 77581
TEL: 281-485-1911
WWW.ROLLAC.COM

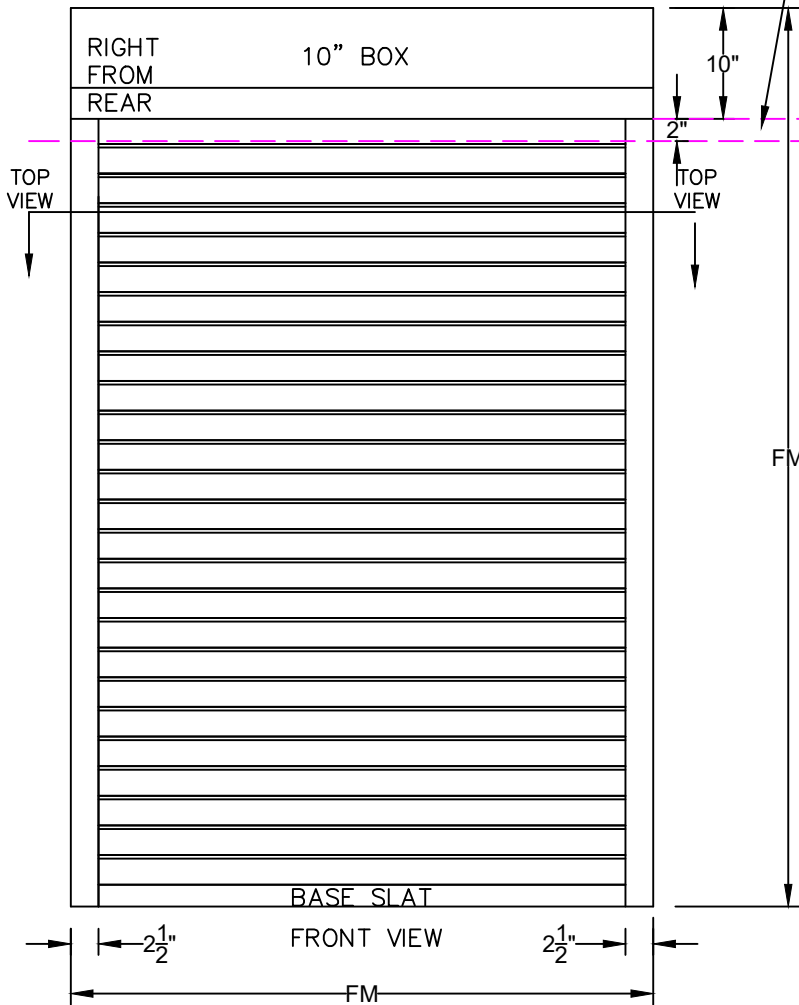
| | | |
|--|-----------|------------|
| DRAWN | NAME | DATE |
| CHECKED | STEFAN P. | 2017/03/16 |
| APPR. | YYYYMMDD | |
| UNLESS OTHERWISE SPECIFIED DIMENSIONS ARE IN INCHES | | |
| ANGLES | .X | .XX |
| ± .5 | ± .1 | ± .03 |
| | | ± .005 |



| | | |
|---|-----------------|----------|
| PROJECT: | | |
| DESCRIPTION: SYSTEM SPECIFICATION SHEETS FOR A200H_HD SHUTTER SYSTEM. | | |
| SIZE DWG. NO. | REV | |
| A | A200H HD | A |
| SCALE: NONE | WEIGHT: XX.XLBS | 3 OF 15 |



TOP VIEW SHOWING CURTAIN AND RAILS. SCALE = 2X



SHUTTER SURFACE MOUNT

ALLOW 2" FOR BASE SLAT HANG

-2X BOX SIZE-

**OPERATOR DETAILS

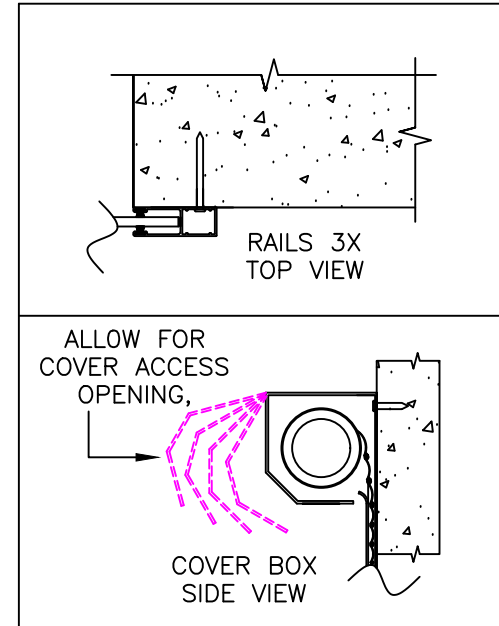
J-BOX FOR ELECTRICAL CONNECTION (MOTOR) **OPERATOR DETAILS TO BE SPECIFIED DURING DETAILED PLANNING.

ALLOW FOR COVER SWING.

*SEE SURFACE MOUNT DETAIL

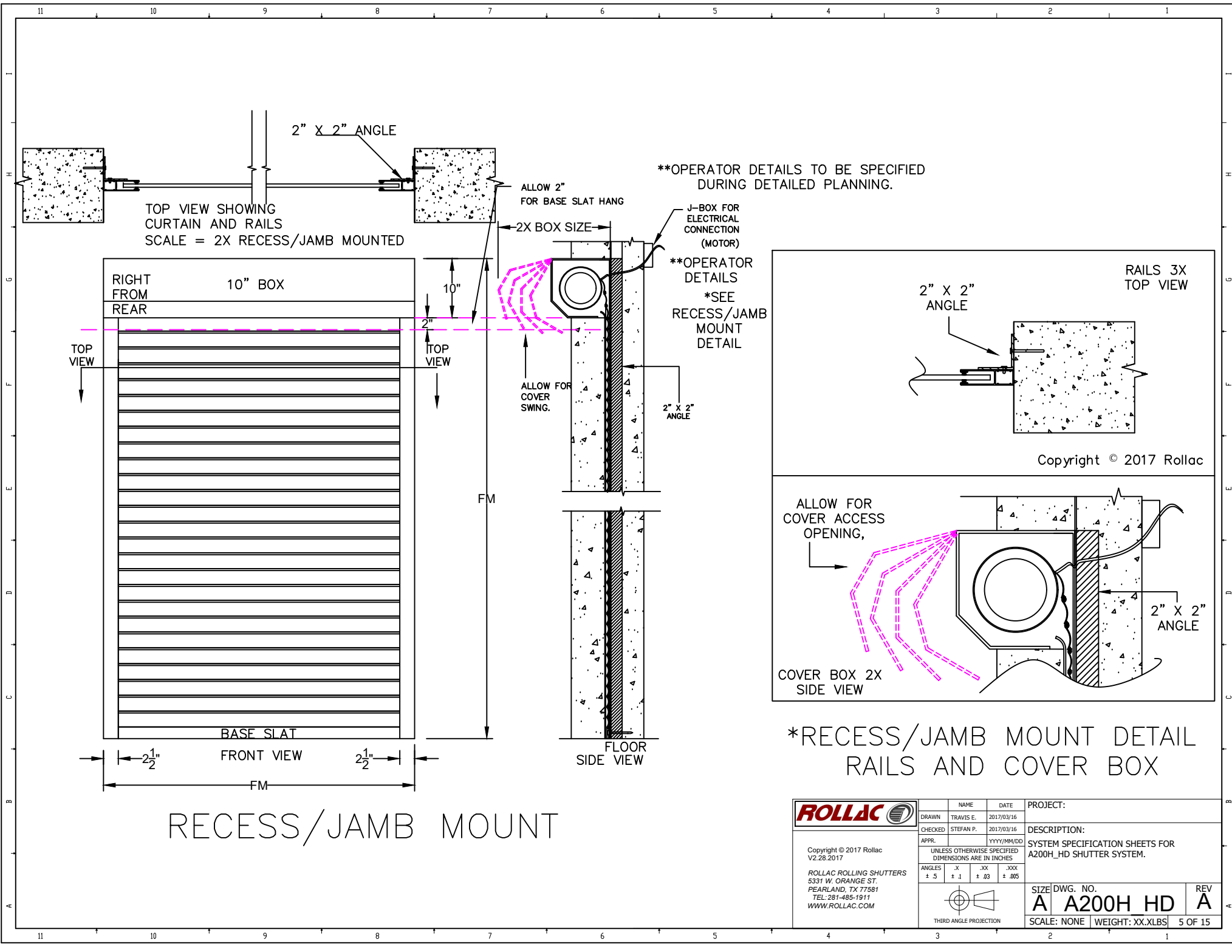
FM

FLOOR SIDE VIEW



*SURFACE MOUNT DETAIL RAILS AND COVER BOX
Copyright © 2017 Rollac

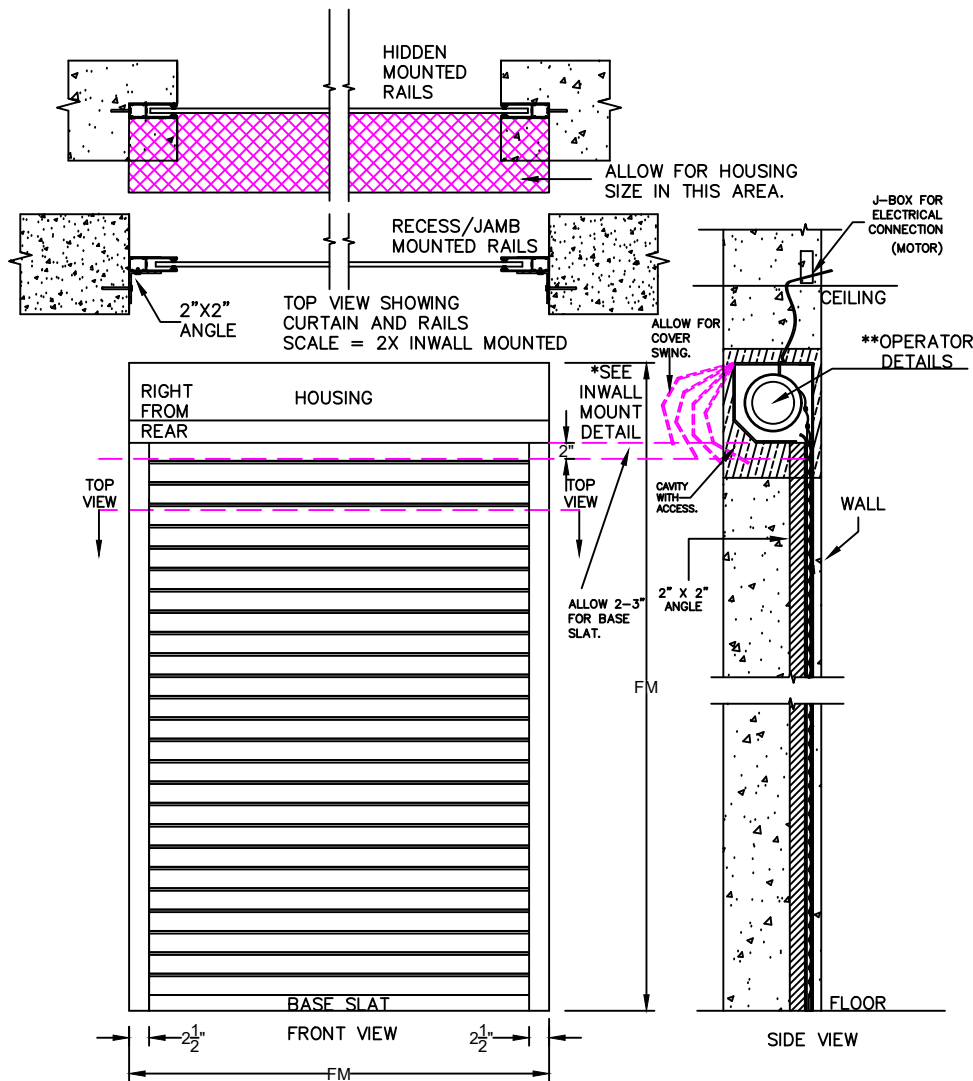
| | | | | |
|--|-----------|-------------------------------|-------|--|
| ROLLAC | | NAME | DATE | PROJECT: |
| DRAWN | TRAVIS E. | 2017/03/16 | | |
| CHECKED | STEFAN P. | 2017/03/16 | | DESCRIPTION: |
| APPR. | | YYYY/MM/DD | | SYSTEM SPECIFICATION SHEETS FOR A200H_HD SHUTTER SYSTEM. |
| UNLESS OTHERWISE SPECIFIED DIMENSIONS ARE IN INCHES | | | | |
| ANGLES | X | .XX | .XXX | |
| | ± .5 | ± .1 | ± .03 | ± .005 |
| Copyright © 2017 Rollac V2.28.2017 | | THIRD ANGLE PROJECTION | | SIZE DWG. NO. |
| ROLLAC ROLLING SHUTTERS 5331 W. ORANGE ST. PEARLAND, TX 77581 TEL: 281-485-1911 WWW.ROLLAC.COM | | | | A A200H HD |
| | | SCALE: NONE WEIGHT: XX.XLBS | | REV A 4 OF 15 |



*RECESS/JAMB MOUNT DETAIL
RAILS AND COVER BOX

| | | | | | | |
|---|--|---|--------|--------|-------------------------------|--|
| <p>Copyright © 2017 Rollac V2.28.2017</p> <p>ROLLAC ROLLING SHUTTERS 5331 W. ORANGE ST. PEARLAND, TX 77581 TEL: 281-485-1911 WWW.ROLLAC.COM</p> | <p>NAME: TRAVIS E.</p> <p>DATE: 2017/03/16</p> | <p>PROJECT:</p> | | | | |
| | <p>CHECKED: STEFAN P.</p> <p>DATE: 2017/03/16</p> | <p>DESCRIPTION:</p> <p>SYSTEM SPECIFICATION SHEETS FOR A200H_HD SHUTTER SYSTEM.</p> | | | | |
| | <p>APPR.:</p> <p>UNLESS OTHERWISE SPECIFIED DIMENSIONS ARE IN INCHES</p> | <p>DATE: YYYY/MM/DD</p> | | | | |
| <p>ANGLES:</p> <table border="1"> <tr> <td>± .5</td> <td>± .1</td> <td>± .03</td> <td>± .005</td> </tr> </table> | ± .5 | ± .1 | ± .03 | ± .005 | <p>THIRD ANGLE PROJECTION</p> | <p>SIZE DWG. NO.</p> <p>A A200H HD</p> <p>SCALE: NONE WEIGHT: XX.XLBS 5 OF 15</p> |
| ± .5 | ± .1 | ± .03 | ± .005 | | | |
| | | <p>REV</p> <p>A</p> | | | | |

INWALL MOUNT SHUTTER RAILS CAN BE MOUNTED HIDDEN OR RECESS/JAMB MOUNTED

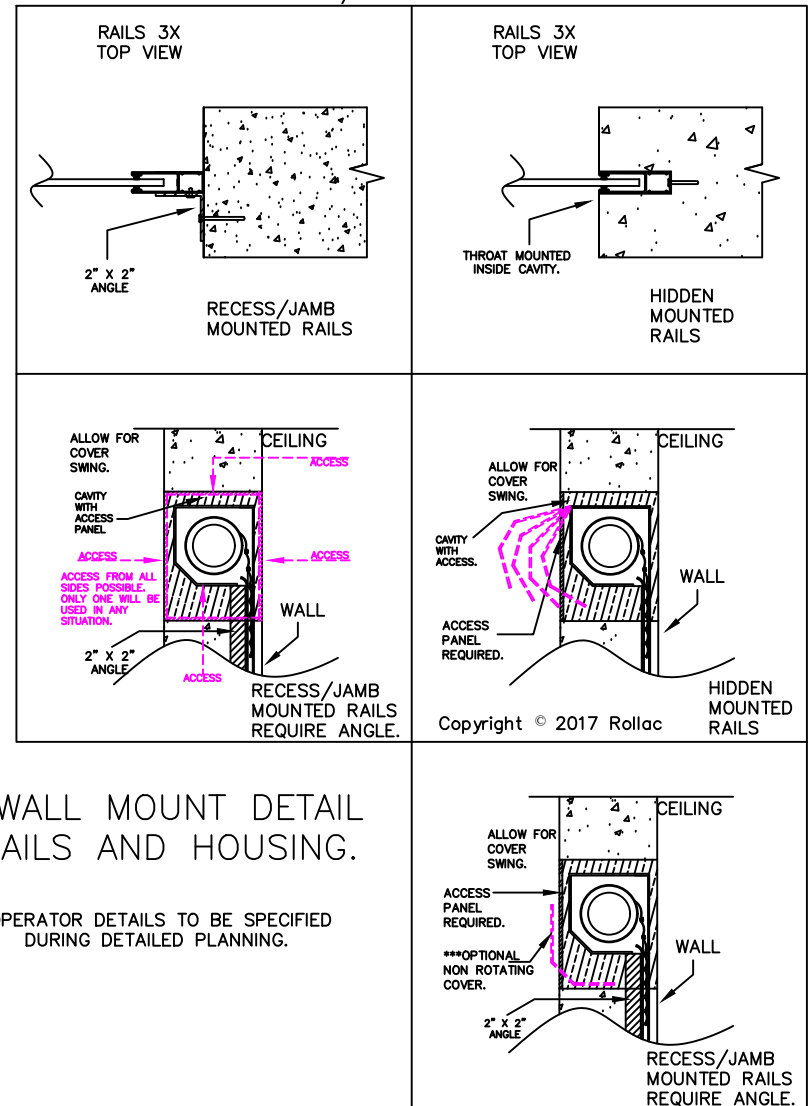


INWALL MOUNT

INWALL MOUNTED SHUTTERS ARE USUALLY MOUNTED INSIDE A CAVITY WITHIN THE HEADER ABOVE THE OPENING.

AN ACCESS PANEL WILL HAVE TO BE PROVIDED TO ENABLE INSTALLATION AND SERVICE. ACCESS CAN BE FROM EITHER SIDE, TOP OR BOTTOM. ACCESS TO BE DETERMINED DURING DETAIL SPECIFICATION.

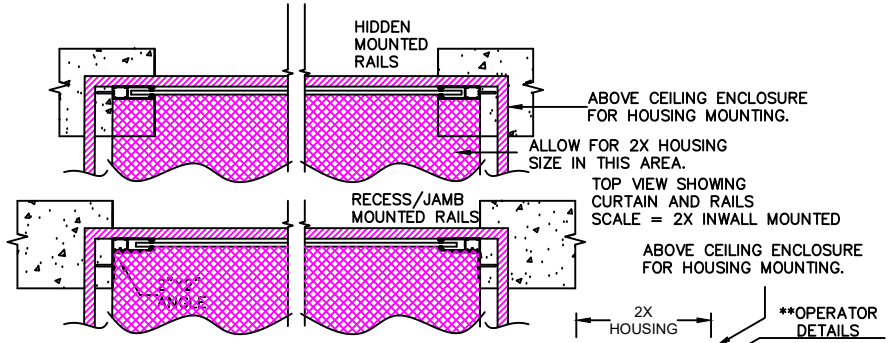
THE OPTIONAL NON ROTATING COVER ALLOWS EASIER ACCESS INSIDE THE ACCESS PANEL IN SOME INSTALLATIONS. CONTACT ROLLAC FOR MORE DETAILS.



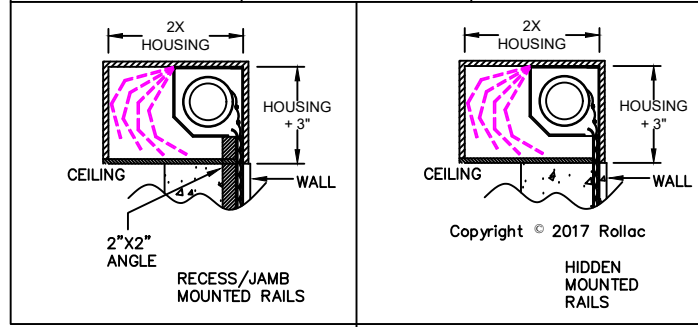
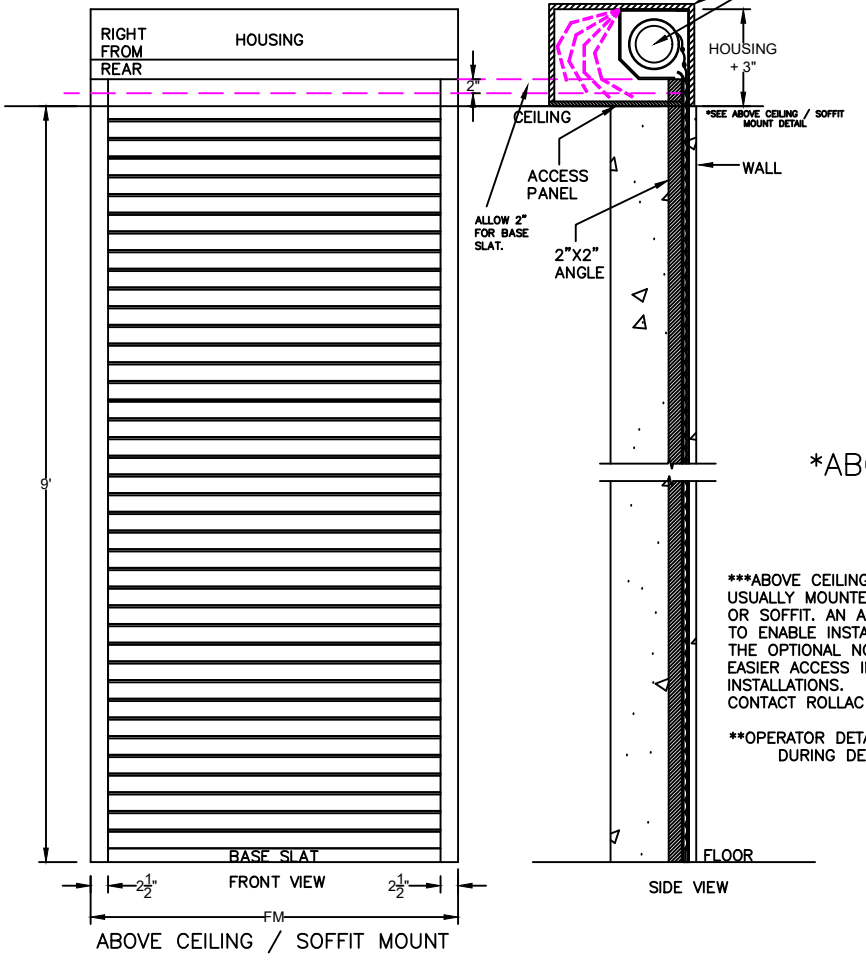
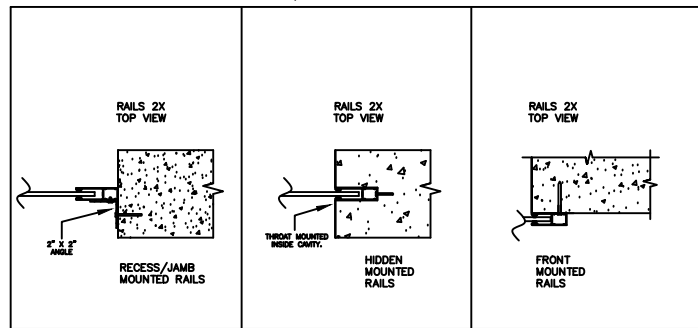
*INWALL MOUNT DETAIL RAILS AND HOUSING.

**OPERATOR DETAILS TO BE SPECIFIED DURING DETAILED PLANNING.

| | | | | | |
|---|---------|-----------|---------------|---|---------|
| <p>Copyright © 2017 Rollac V2.28.2017</p> <p>ROLLAC ROLLING SHUTTERS 5331 W. ORANGE ST. PEARLAND, TX 77581 TEL. 281-485-1911 WWW.ROLLAC.COM</p> | NAME | DATE | PROJECT: | | |
| | DRAWN | TRAVIS E. | 2017/03/16 | DESCRIPTION: SYSTEM SPECIFICATION SHEETS FOR A200H_HD SHUTTER SYSTEM. | |
| | CHECKED | STEFAN P. | 2017/03/16 | | |
| | APPR. | | YYYY/MM/DD | | |
| UNLESS OTHERWISE SPECIFIED DIMENSIONS ARE IN INCHES | | | SIZE DWG. NO. | | |
| ANGLES | X | XX | A | A200H HD | REV |
| | + .5 | + .1 | + .03 | + .005 | A |
| THIRD ANGLE PROJECTION | | | SCALE: NONE | WEIGHT: XX.XLBS | 6 OF 15 |

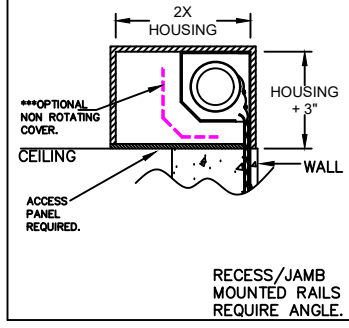


ABOVE CEILING / SOFFIT MOUNT SHUTTER RAILS CAN BE FRONT MOUNTED, HIDDEN OR RECESS/JAMB MOUNTED.



*ABOVE CEILING / SOFFIT MOUNT DETAIL RAILS AND HOUSING.

***ABOVE CEILING/SOFFIT MOUNTED SHUTTERS ARE USUALLY MOUNTED INSIDE A CAVITY ABOVE THE CEILING OR SOFFIT. AN ACCESS PANEL WILL HAVE TO BE PROVIDED TO ENABLE INSTALLATION AND SERVICE. THE OPTIONAL NON ROTATING COVER ALLOWS EASIER ACCESS INSIDE THE ACCESS PANEL IN SOME INSTALLATIONS. CONTACT ROLLAC FOR MORE DETAILS.
 **OPERATOR DETAILS TO BE SPECIFIED DURING DETAILED PLANNING.



| | | | | |
|---|-----------------|-------------|---------------|---|
| <p>Copyright © 2017 Rollac V2.28.2017</p> <p>ROLLAC ROLLING SHUTTERS 5331 W. ORANGE ST. PEARLAND, TX 77581 TEL: 281-485-1911 WWW.ROLLAC.COM</p> | NAME | DATE | PROJECT: | |
| | DRAWN | TRAVIS E. | 2017/03/16 | DESCRIPTION: SYSTEM SPECIFICATION SHEETS FOR A200H_HD SHUTTER SYSTEM. |
| | CHECKED | STEFAN P. | 2017/03/16 | |
| | APPR. | | YYYY/MM/DD | |
| UNLESS OTHERWISE SPECIFIED DIMENSIONS ARE IN INCHES | | | | |
| ANGLES | .X ± .5 | .XX ± .1 | .XXX ± .03 | .XXX ± .005 |
| THIRD ANGLE PROJECTION | | | | |
| SIZE | DWG. NO. | REV | | |
| A | A200H HD | A | | |
| SCALE: NONE | WEIGHT: XX.XLBS | 7 OF 15 | | |

Recommended Fastener - Schedule A200_HD


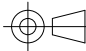
| Substrate | Type of Screw | Commonly Used | Minimum Embedment (E.D.) | Minimum Edge Distance | Screw Hole Spacing |
|----------------------------------|---|--|---|-----------------------|---|
| Wood Framing | #14 Wood or Lag Screw Pan Head, Phillips | Wood Screw #14 Stainless Steel, Pan Head, Phillips STUCCO: #14 x 3*, FIBER CEMENT BOARD: #14 x 3 BRICK-VENEER: #14 x 4 (Screw length depends on brick size and distance to wood framing) | 1.5" Threaded Penetration to Existing Wood Stud | 2" Edge Distance | <u>Drill hole Spacing:</u> 12" Approximately every 12" or less starting 4" from the bottom up to 4" from the top. <u>Drill hole Size:</u> |
| Concrete | #14 Screw Pan Head, Phillips with S7 Fisher Anchor or Plug | #14 X 2" screw with Fisher S7 Anchor or Plug Please. | Follow the installation instructions on the Fisher Plug but we recommend the embedment to be around 1.75" Minimum. | 3" Edge Distance | The Standard Recommended Drill hole is $\frac{1}{2}$ ". Rollac will do a step drill with $\frac{1}{2}$ " entry and $\frac{1}{4}$ " exit hole. This type of drill will fit all #14 screws. |
| Aluminum / Build Out / Angles | #14 TEK Screw Pan Head, Phillips | #14 X 1 Self Drilling PP SS TEK (TEK = Self Drilling) | n.a. | n.a. | Please advise if other screws, such as Tapcon Anchors, are used as it will change the drill size.. |
| Red Iron | TEKS 5 Screws #12 ** Hexagon Head, Phillips | #12 | n.a. | n.a. | |
| Commercial Aluminum Studs | TEKS 5 Screws #12 ** Hexagon Head, Phillips | #12 | n.a. | n.a. | |

* No embedment into stucco shall be considered as part of the required embedment

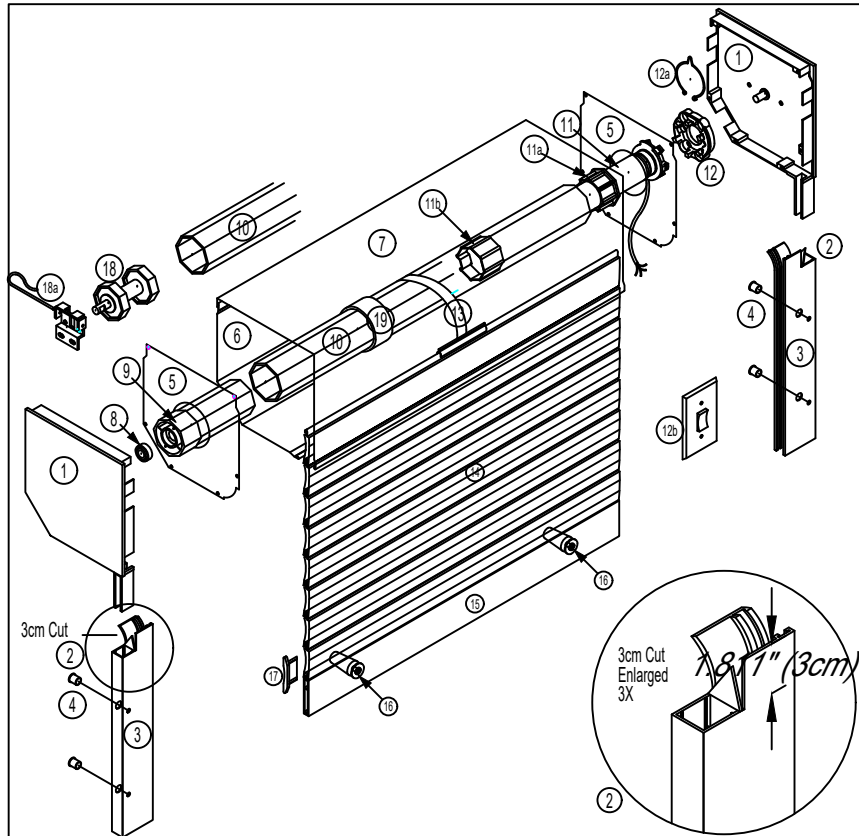
** Screw shall not be made out of stainless steel as material is too soft to drill into a steel structure. Use other corrosion resistant material

Disclaimer: It is the responsibility of the installer to verify that the surface and structure is suitable to install a rolling shutters. Fastener schedule is a recommendation. Installer to verify that rolling shutter is securely fastened.

Choose Corrosion Resistant Material that is appropriate for the environment in which the product is being installed. Choose appropriate screw length to meet minimum embedment.

| | | | | |
|--|--|-------------|---------------|---|
|  Copyright © 2017 Rollac V2.28.2017 ROLLAC ROLLING SHUTTERS 5331 W. ORANGE ST. PEARLAND, TX 77581 TEL: 281-485-1911 WWW.ROLLAC.COM | DRAWN | TRAVIS E. | 2017/03/16 | PROJECT: |
| | CHECKED | STEFAN P. | 2017/03/16 | DESCRIPTION: |
| | APPR. | | YYYY/MM/DD | SYSTEM SPECIFICATION SHEETS FOR A200H_HD SHUTTER SYSTEM. |
| | UNLESS OTHERWISE SPECIFIED DIMENSIONS ARE IN INCHES | | | |
| ANGLES | .X ± .5 | .XX ± .1 | .XXX ± .03 | .XXX ± .005 |
|  THIRD ANGLE PROJECTION | | | | SIZE DWG. NO. A A200H HD |
| SCALE: NONE | | | | WEIGHT: XX.XLBS 8 OF 15 |
| | | | | REV A |

MOTORIZED ROLLING SHUTTER MANUAL OVERRIDE OPTIONS.



MANUAL OVERRIDE MOUNTED AT REAR OF SHUTTER NORMALLY GOING THROUGH WALL

MANUAL OVERRIDE MOUNTED ON 45 DEGREE.

MANUAL OVERRIDE MOUNTED AT FRONT OF ENCLOSURE

MANUAL OVERRIDE MOUNTED AT BOTTOM OF ENCLOSURE

SPECIAL REMOVABLE CRANK HANDLE OPTION FOR OVER RIDE MOTORS. USED FOR EMERGENCY OPERATION.

- | | | |
|---------------------------------|---------------------------------------|---------------------------------------|
| ① Side/End Cap | ⑨ Idler Insert (PVC) | ⑬ Springlock Hanger |
| ② 3cm Cut | ⑩ 60/70 mm Axle (Galvanized/Aluminum) | ⑭ A200H Slats |
| ③ Guide Rail With 3cm Cut | ⑪ Tubular Motor | ⑮ Base Slat |
| ④ Plug Button | ⑫ Crown | ⑯ Exterior Nylon Stop |
| ⑤ Safety Plate | ⑬ Drive | ⑰ Side Lock |
| ⑥ Housing (Front/Bottom) 6"-10" | ⑭ 11a | ⑱ Idler (PVC) |
| ⑦ Housing (Top/Back) 6"-10" | ⑮ 11b | ⑲ Idler Bracket (Steel) |
| ⑧ Ball Bearing | ⑯ 12 | ⑳ Axle Ring - PVC or Alum. (Optional) |
| | ⑰ 12a | |
| | ⑱ 12b | |

SecuraSure A200H_HD System - MOTOR OPERATED
Copyright © 2017 by Rollac Rolling Shutters

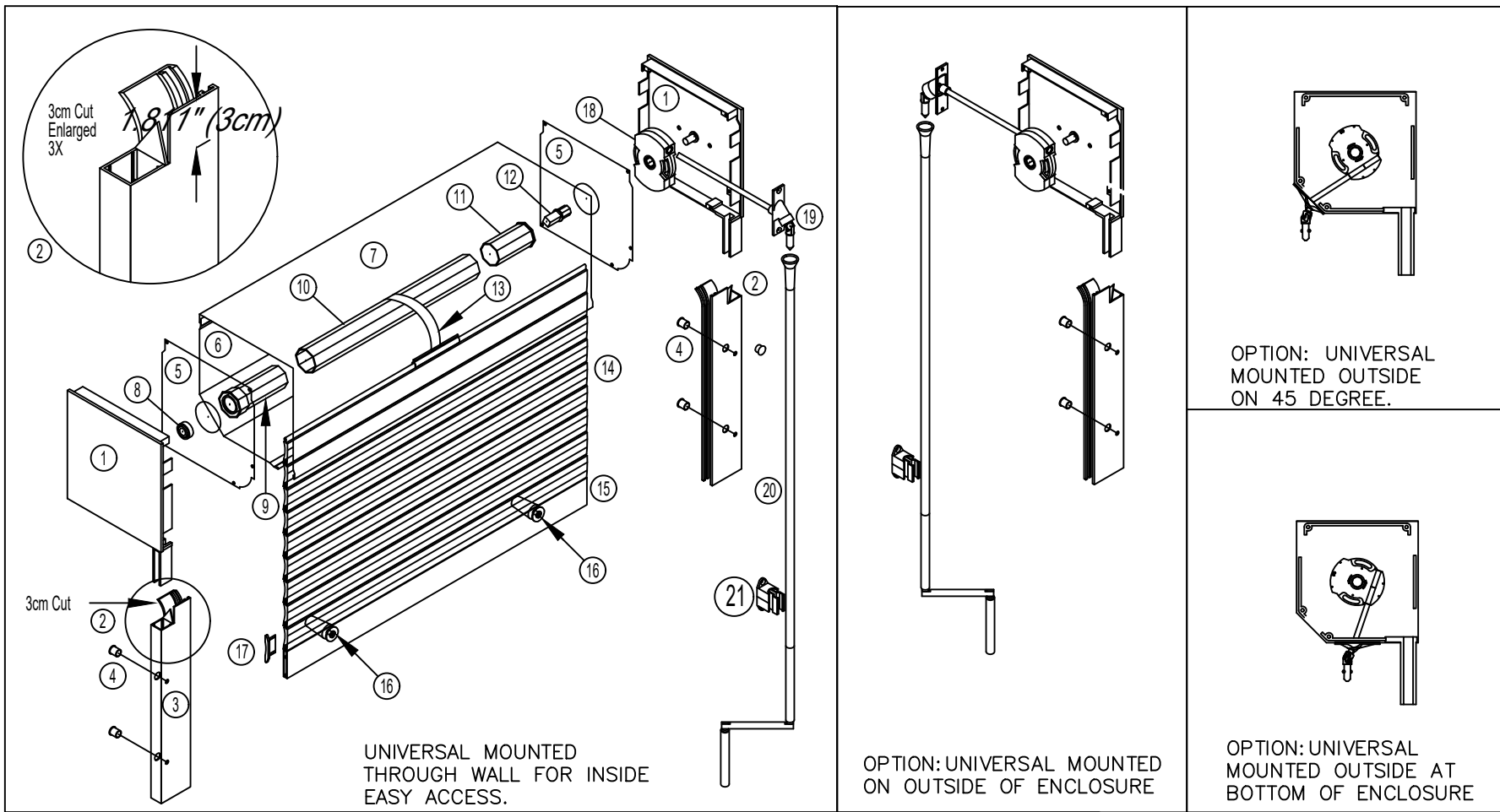
ROLLAC

Copyright © 2017 Rollac
V2.28.2017

ROLLAC ROLLING SHUTTERS
5331 W. ORANGE ST.
PEARLAND, TX 77581
TEL: 281-485-1911
WWW.ROLLAC.COM

| | | |
|---|-------------|--|
| NAME | DATE | PROJECT: |
| DRAWN TRAVIS E. | 2017/03/16 | |
| CHECKED STEFAN P. | 2017/03/16 | DESCRIPTION: |
| APPR. | YYYY/MM/DD | SYSTEM SPECIFICATION SHEETS FOR A200H_HD SHUTTER SYSTEM. |
| UNLESS OTHERWISE SPECIFIED DIMENSIONS ARE IN INCHES | | |
| ANGLES | .X .XX .XXX | |
| ± .5 ± .1 ± .03 ± .005 | | |
| THIRD ANGLE PROJECTION | | SIZE DWG. NO. REV |
| | | A A200H HD A |
| SCALE: NONE WEIGHT: XX.XLBS | | 9 OF 15 |

ROLLING SHUTTER GEAR OPERATED OPTIONS



UNIVERSAL MOUNTED THROUGH WALL FOR INSIDE EASY ACCESS.

OPTION: UNIVERSAL MOUNTED ON OUTSIDE OF ENCLOSURE

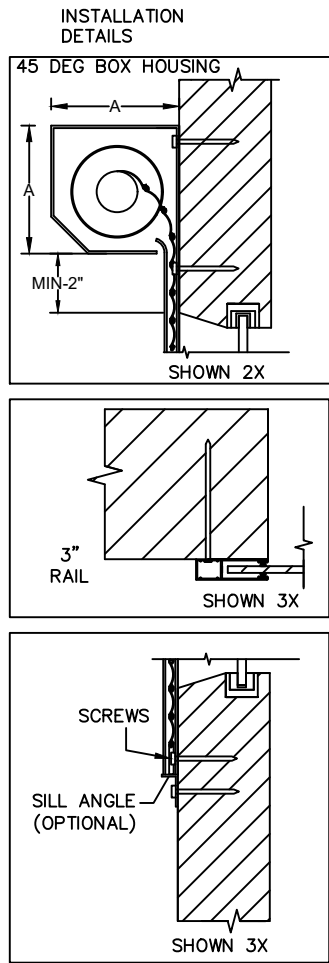
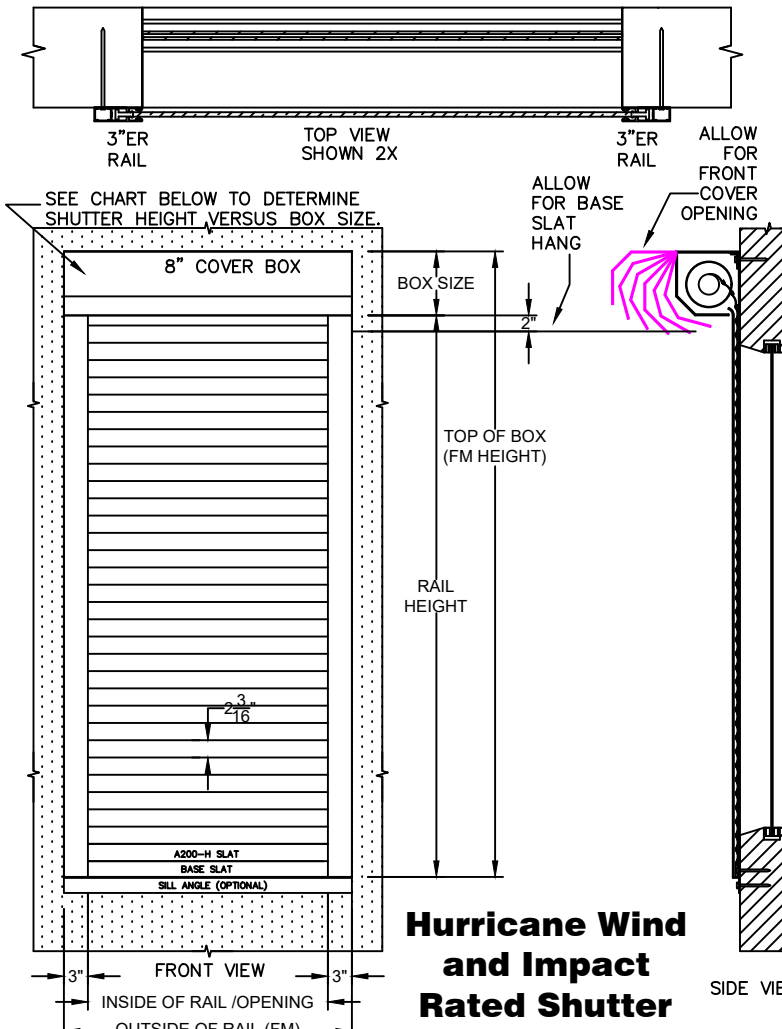
OPTION: UNIVERSAL MOUNTED OUTSIDE ON 45 DEGREE.

OPTION: UNIVERSAL MOUNTED OUTSIDE AT BOTTOM OF ENCLOSURE

- ① Side/End Cap
- ② 3cm Cut
- ③ Guide Rail With 3cm Cut
- ④ Plug Button
- ⑤ Safety Plate
- ⑥ Housing (Front/Bottom) 6"-10"
- ⑦ Housing (Top/Back) 6"-10"
- ⑧ Ball Bearing
- ⑨ Idler Insert (PVC)
- ⑩ 60/70 mm Axle (Galvanized/Aluminum)
- ⑪ Gear Insert
- ⑫ Gear Connector
- ⑬ Springlock Hanger
- ⑭ A200 Slats
- ⑮ Base Slat
- ⑯ Exterior Nylon Stop
- ⑰ Side Lock
- ⑱ Gear
- ⑲ Universal
- ⑳ Crank Handle
- ㉑ Crank Holder (Optional)

SecuraSure A200H HD System - GEAR OPERATED
 Copyright © 2017 by Rollac Rolling Shutters

| | | | | |
|--|------------|-------------|--|---|
| <p>Copyright © 2017 Rollac V2.28.2017</p> <p>ROLLAC ROLLING SHUTTERS 5331 W. ORANGE ST. PEARLAND, TX 77581 TEL: 281-485-1911 WWW.ROLLAC.COM</p> | NAME | DATE | PROJECT: | |
| | DRAWN | TRAVIS E. | 2017/03/16 | DESCRIPTION: SYSTEM SPECIFICATION SHEETS FOR A200H_HD SHUTTER SYSTEM. |
| | CHECKED | STEFAN P. | 2017/03/16 | |
| | APPR. | | YYYY/MM/DD | |
| UNLESS OTHERWISE SPECIFIED DIMENSIONS ARE IN INCHES | | | SIZE DWG. NO. REV A A200H HD A | |
| ANGLES | .X ± .5 | .XX ± .1 | | .XXX ± .03 |
| THIRD ANGLE PROJECTION | | | SCALE: NONE WEIGHT: XX.XLBS 10 OF 15 | |



SecuraSure A200H Heavy Duty SYSTEM

| |
|--|
| RECOMMENDED MAXIMUM OPENING MANUAL 2'-10" MOTOR 3'-16" |
| RECOMMENDED MAXIMUM HEIGHT MANUAL 2'-10" MOTOR 3'-12" |
| RECOMMENDED MAXIMUM USAGE SQ FT MANUAL 55 MOTOR 180 |
| CURTAIN WEIGHT 1.76 lbs./sq ft. |
| PROFILE HEIGHT 2.17" |
| SYSTEM WEIGHT 2X CURTAIN WEIGHT |

APPLICATIONS FOR THE SecuraSure A200H Heavy Duty SYSTEM

RESIDENTIAL/COMMERCIAL SECURITY
SOLAR SHADING
HURRICANE PROTECTION

SecuraSure A200H-Heavy Duty System Specification

OPERATOR OPTIONS; GEAR MOTOR MOTOR/OVERRIDE

WIND AND IMPACT RATED MIAMI DADE FLORIHDA BUILDING CODE TEXAS DEPARTMENT OF INSURANCE INTERNATIONAL BUILDING CODE

SecuraSure A200H Heavy Duty System - Housing Size(A) Versus FM Height of Shutter.

| A200 - H Heavy Duty | FM Height ft. | 2.5 | 3 | 3.5 | 4 | 4.5 | 5 | 5.5 | 6 | 6.5 | 7 | 7.5 | 8 | 8.5 | 9 | 9.5 | 10 | 10.5 | 11 | 11.5 | 12 | 12.5 | |
|---------------------|---------------------|-----|-----|-----|-----|-----|-----|-----|-----|-----|-----|-----|-----|-----|-----|-----|-----|------|-----|------|-----|------|-----|
| | Housing Size(A) in. | 7 | 7 | 8 | 8 | 8 | 9 | 9 | 9 | 10 | 10 | 10 | 10 | 12 | 12 | 12 | 12 | 12 | 12 | 12 | 12 | 12 | 12 |
| | Rail Size in. | 3ER | 3ER | 3ER | 3ER | 3ER | 3ER | 3ER | 3ER | 3ER | 3ER | 3ER | 3ER | 3ER | 3ER | 3ER | 3ER | 3ER | 3ER | 3ER | 3ER | 3ER | 3ER |

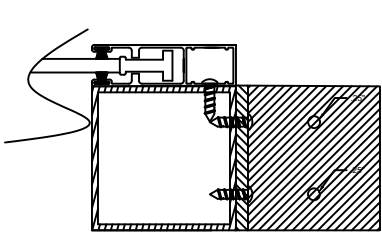
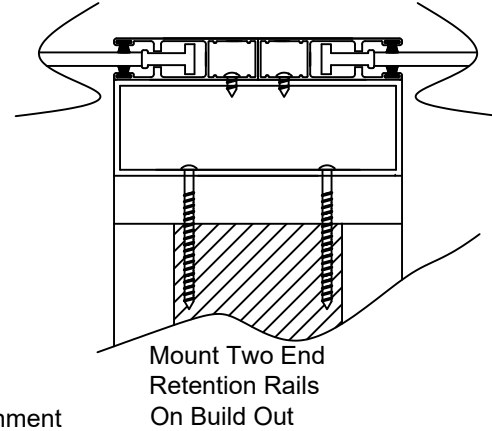
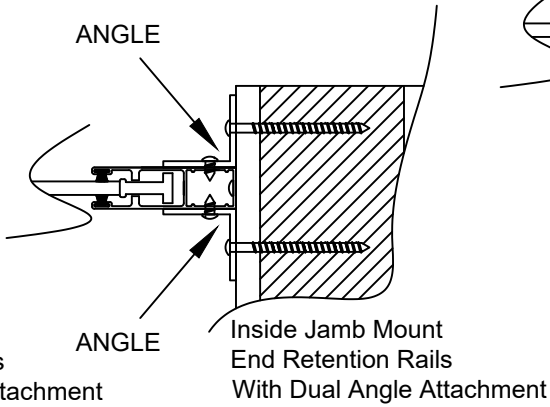
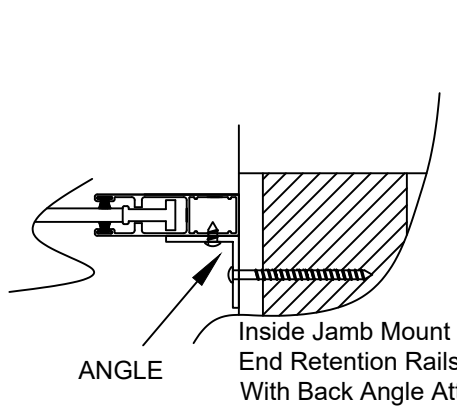
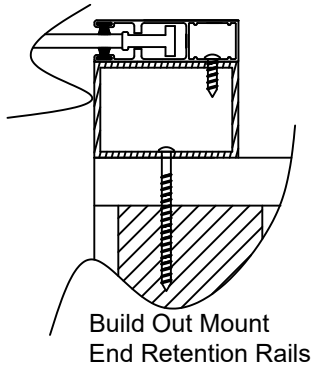
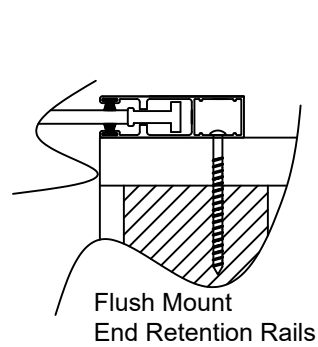
ROLLAC

Copyright © 2017 Rollac V2.28.2017

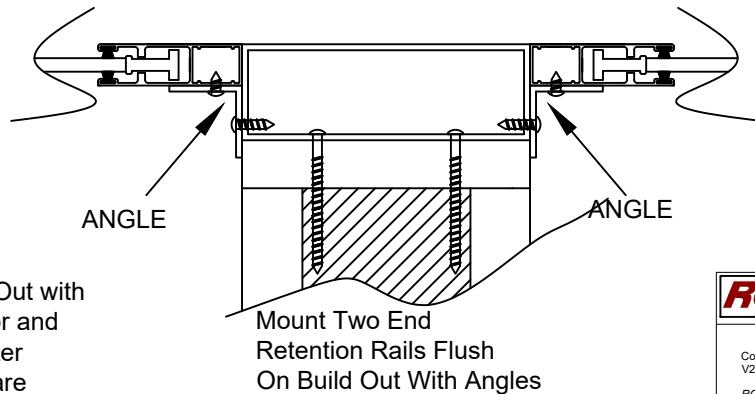
ROLLAC ROLLING SHUTTERS
5331 W. ORANGE ST.
PEARLAND, TX 77581
TEL: 281-485-1911
WWW.ROLLAC.COM

| | | | | | |
|---|-----------|------|------------|--|----------|
| DRAWN | TRAVIS E. | DATE | 2017/03/16 | PROJECT: | |
| CHECKED | STEFAN P. | DATE | 2017/03/16 | DESCRIPTION: | |
| APPR. | | | YYYY/MM/DD | SYSTEM SPECIFICATION SHEETS FOR A200H_HD SHUTTER SYSTEM. | |
| UNLESS OTHERWISE SPECIFIED DIMENSIONS ARE IN INCHES | | | | | |
| ANGLES | ± .5 | ± .1 | ± .03 | ± .005 | |
| THIRD ANGLE PROJECTION | | | | SIZE DWG. NO. | REV |
| | | | | A A200H HD | A |
| SCALE: NONE | | | | WEIGHT: XX.XLBS | 11 OF 15 |

MOUNTING OPTIONS "END RETENTION" RAILS



3 Inch X 3 Inch Clip.
Mounted to 3 Inch X 3 inch Build Out with
rails attached. Use one clip at floor and
ceiling for each rail to mount shutter
when no other mounting options are
available. Other sizes are available.



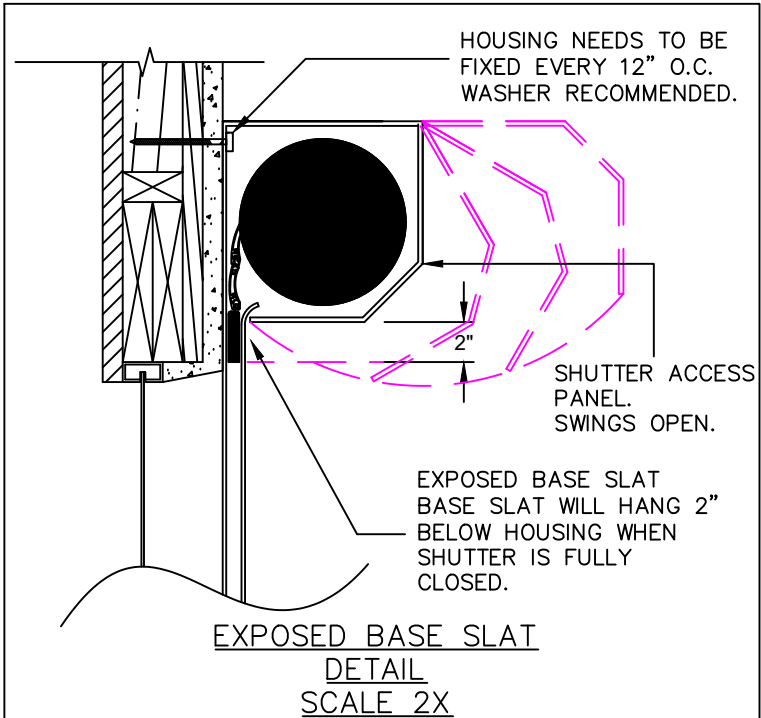
Copyright © 2017 Rollac
V2.28.2017

ROLLAC ROLLING SHUTTERS
5331 W. ORANGE ST.
PEARLAND, TX 77581
TEL: 281-485-1911
WWW.ROLLAC.COM

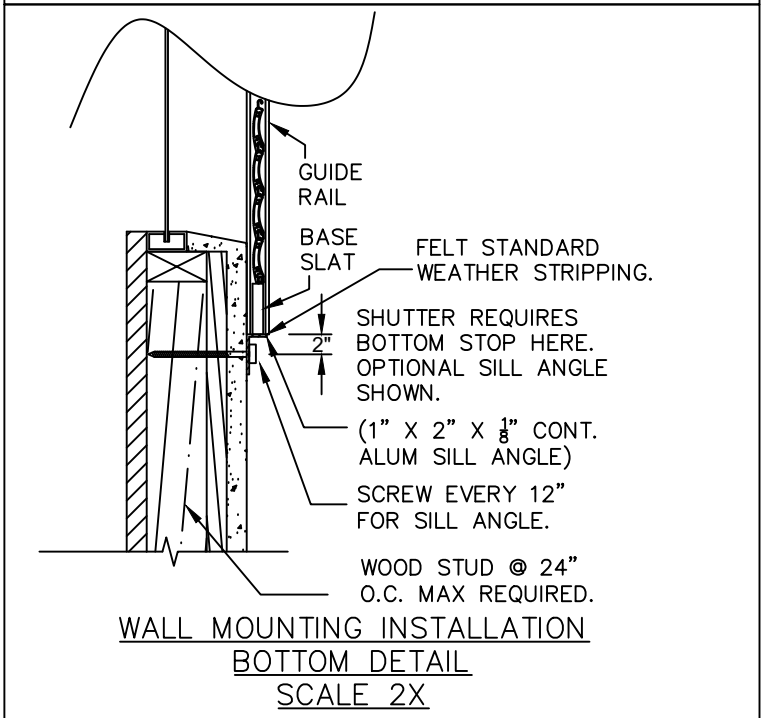
| | | |
|--|---------------|---|
| NAME | DATE | PROJECT: |
| DRAWN TRAVIS E. | 2017/03/16 | |
| CHECKED STEFAN P. | 2017/03/16 | DESCRIPTION: |
| APPR. | YYYY/MM/DD | SYSTEM SPECIFICATION SHEETS FOR A200H_HD SHUTTER SYSTEM. |
| UNLESS OTHERWISE SPECIFIED DIMENSIONS ARE IN INCHES | | |
| ANGLES | .X ± .5 | .XX ± .1 |
| | .XXX ± .03 | .XXX ± .005 |



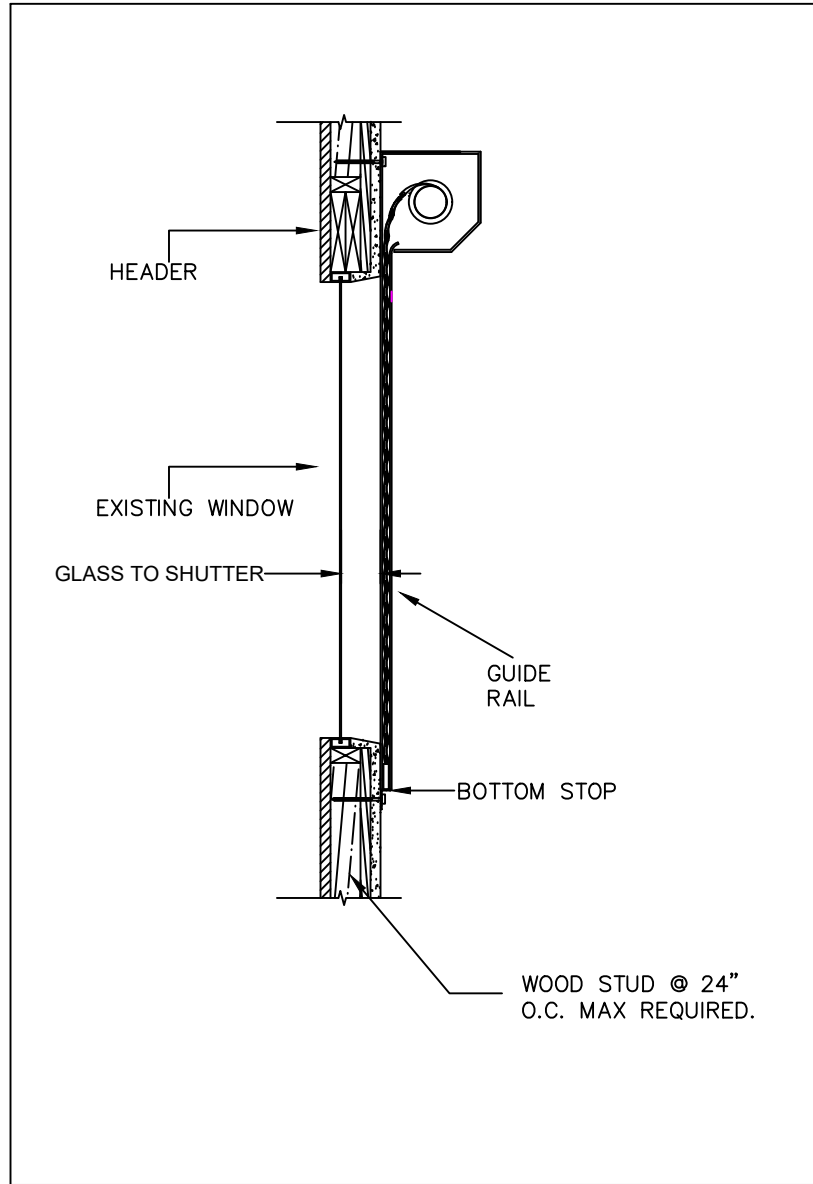
| | | |
|-------------|-----------------|----------|
| SIZE | DWG. NO. | REV |
| A | A200H HD | A |
| SCALE: NONE | WEIGHT: XX.XLBS | 12 OF 15 |



**EXPOSED BASE SLAT
DETAIL
SCALE 2X**



**WALL MOUNTING INSTALLATION
BOTTOM DETAIL
SCALE 2X**

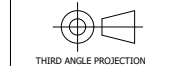


Copyright © 2017 Rollac
V2.28.2017
ROLLAC ROLLING SHUTTERS
5331 W. ORANGE ST.
PEARLAND, TX 77581
TEL: 281-485-1911
WWW.ROLLAC.COM

| | NAME | DATE |
|---------|-----------|------------|
| DRAWN | TRAVIS E. | 2017/03/16 |
| CHECKED | STEFAN P. | 2017/03/16 |
| APPR. | | YYYY/MM/DD |

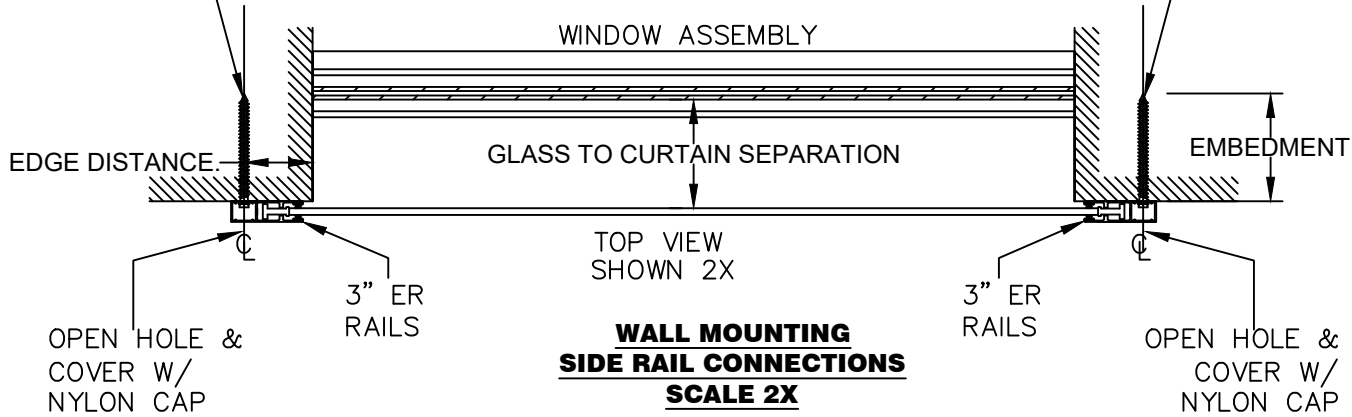
UNLESS OTHERWISE SPECIFIED
DIMENSIONS ARE IN INCHES

| ANGLES | .X | .XX | .XXX |
|--------|------|------|--------|
| | ± .5 | ± .1 | ± .03 |
| | | | ± .005 |



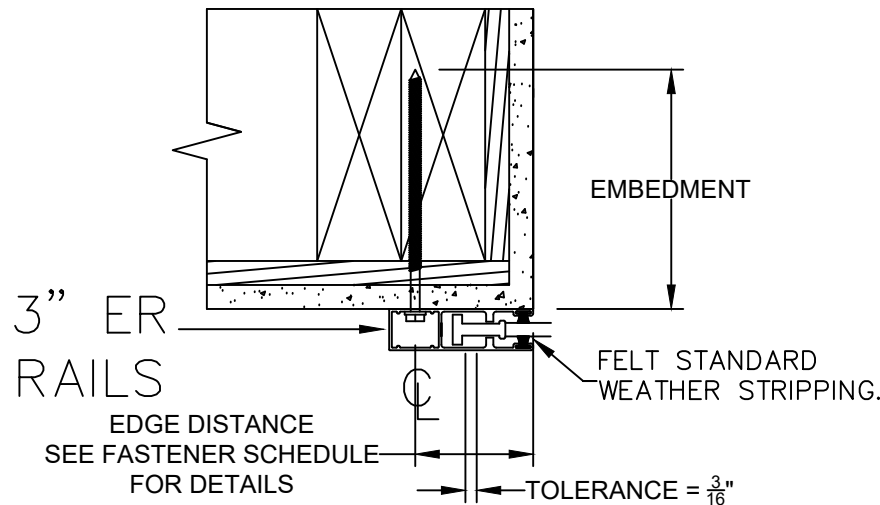
| | | | |
|---|--|-------------------|----------|
| PROJECT: | | DESCRIPTION: | |
| SYSTEM SPECIFICATION SHEETS FOR A200H_HD SHUTTER SYSTEM. | | SIZE DWG. NO. | REV |
| SCALE: NONE | | A A200H HD | A |
| WEIGHT: XX.XLBS | | 13 OF 15 | |

(SEE FASTENER SCHEDULE FOR SCREW TYPE AND SPACING)

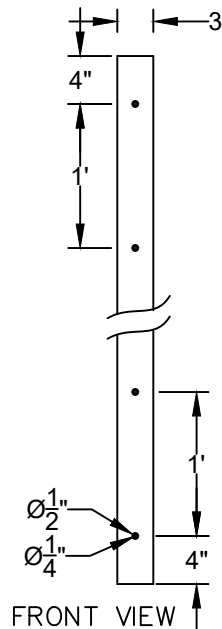


**WALL MOUNTING
SIDE RAIL CONNECTIONS
SCALE 2X**

(SEE FASTENER SCHEDULE FOR SCREW TYPE AND SPACING)



**WALL MOUNTING
SIDE RAIL CONNECTIONS
TO WOOD CONSTRUCTION WALL
SCALE 2X**



RAIL DETAIL—STANDARD RAIL

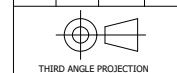
RAIL HOLES ARE SPACED ABOUT 12" APART BEGINNING 4" FROM TOP AND BOTTOM. THE OUTSIDE HOLE IS $\frac{1}{2}$ " AND THE INSIDE HOLE IS $\frac{1}{4}$ " STANDARD. NYLON CAPS WILL BE PROVIDED FOR COVERING THE HOLES AFTER INSTALLATION.



Copyright © 2017 Rollac
V2.28.2017

ROLLAC ROLLING SHUTTERS
5331 W. ORANGE ST.
PEARLAND, TX 77581
TEL: 281-485-1911
WWW.ROLLAC.COM

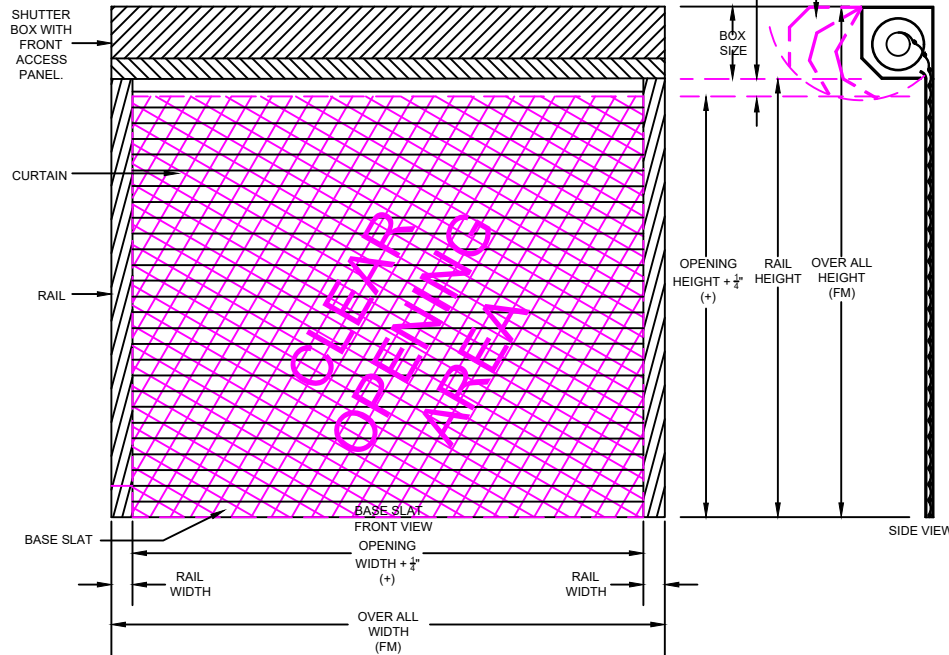
| | | |
|---|-------------------|----------|
| NAME | DATE | PROJECT: |
| DRAWN TRAVIS E. | 2017/03/16 | |
| CHECKED STEFAN P. | 2017/03/16 | |
| APPR. | YYYY/MM/DD | |
| UNLESS OTHERWISE SPECIFIED DIMENSIONS ARE IN INCHES | | |
| ANGLES | .X .XX .XXX | |
| ± .5 | ± .1 ± .03 ± .005 | |



| | | |
|--|---------------|-----------------|
| DESCRIPTION: | SIZE DWG. NO. | REV |
| SYSTEM SPECIFICATION SHEETS FOR A200H_HD SHUTTER SYSTEM. | A A200H HD | A |
| SCALE: NONE | | WEIGHT: XX.XLBS |
| | | 14 OF 15 |

COMMON TERMS USED FOR ROLLING SHUTTERS

MEASUREMENT AND PLANNING GUIDE FOR ROLLING SHUTTERS SHOWING FRAME AND CURTAIN.



Measuring for rolling shutters is easy once you know what issues to consider

1) Consider the way a rolling shutter will need to be installed. Is the area free of obstruction or will you need to fit the shutter within a certain space?

The answer to this question will tell you whether you should use a plus (+) measurement or FM measurement.

2) Consider the height of the shutter. The taller the shutter, the larger the box size. In addition to the added height for the box, some space should be allowed for the base slat of a fully open shutter in order to keep the view from inside unobstructed.

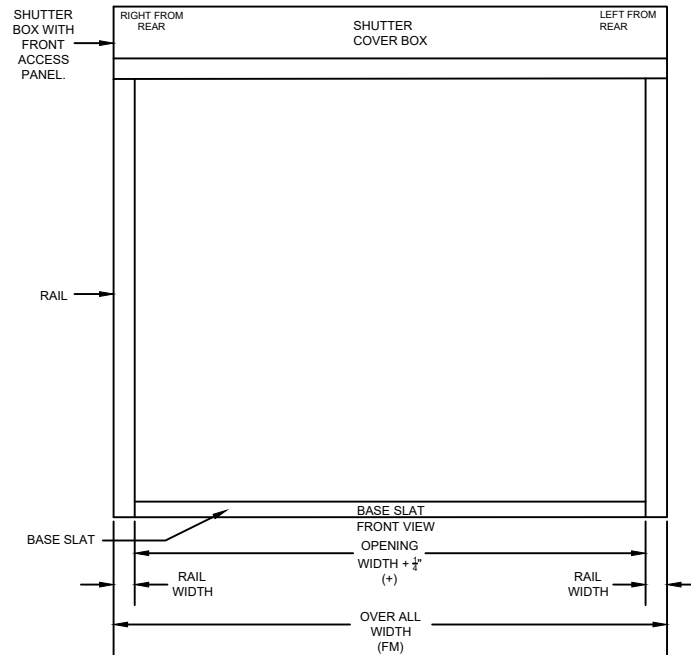
3) Consider the width of the shutter. Adding either 5 inches for mini rails or 6 inches for maxi rails is a good general rule to follow. Keep in mind, however, that this is only a guideline, and technical changes may be made when necessary.

4) Consider how power is supplied to the shutter and the location of any control switches. Consider Tape or Crank placement if manual.

If you have any questions about this measuring and planning guideline, please don't hesitate to contact us at (281)485-1911 or at Sales@rollac.com.

SHUTTER SYSTEM FRAME

SHUTTER SYSTEM FRAME



Copyright © 2017 Rollac

| | | | | | |
|---|-------------------|-------------|---|--------------------------------------|----------------|
| | NAME | DATE | PROJECT: | | |
| | DRAWN TRAVIS E. | 2017/03/16 | DESCRIPTION: SYSTEM SPECIFICATION SHEETS FOR A200H_HD SHUTTER SYSTEM. | | |
| | CHECKED STEFAN P. | 2017/03/16 | | | |
| | APPR. | YYYY/MM/DD | | | |
| UNLESS OTHERWISE SPECIFIED DIMENSIONS ARE IN INCHES | | | SIZE DWG. NO. A A200H HD | | |
| ANGLES | .X ± .5 | .XX ± .1 | | .XXX ± .03 | .XXX ± .005 |
| Copyright © 2017 Rollac V2.28.2017 ROLLAC ROLLING SHUTTERS 5331 W. ORANGE ST. PEARLAND, TX 77581 TEL: 281-485-1911 WWW.ROLLAC.COM | | | THIRD ANGLE PROJECTION | SCALE: NONE WEIGHT: XX.XLBS 15 OF 15 | |



Experience Technology Higher Standards

Since 1982, Rollac has operated with a vision of quality, service, and modern technology to produce the best possible product for our customers. Each product is custom manufactured for every single job to ensure the best fit and finish. Regardless if you are looking to enhance security, add comfort to a space, or seek protection from the elements, Rollac has the solution for your home or work environment.



5331 West Orange Street
Pearland, TX 77581

toll free 1.888.2-ROLLAC
phone 281.485.1911
fax 281.485.0839

